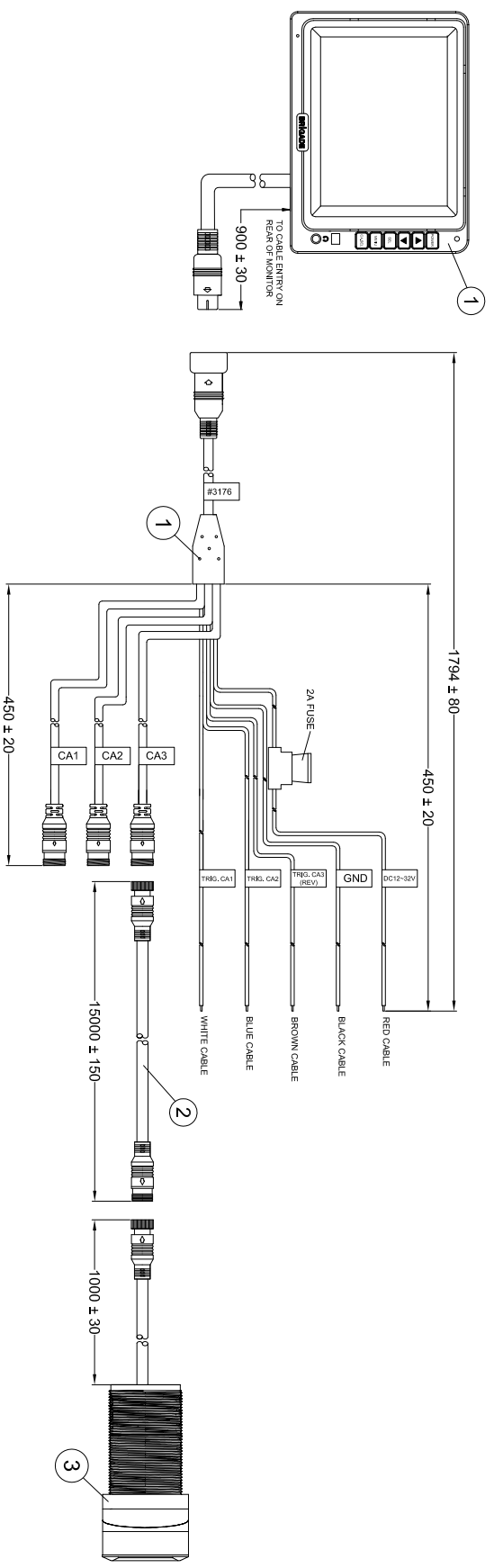


ITEM	STOCK CODE	QTY	DESCRIPTION
1	(#2504)	1	VBV-750BM MONITOR KIT
2	(#3150)	1	VBV-L415 15M CAMERA CABLE
3	(#2198)	1	VBV-745C CAMERA



NOTES:
 DIMENSIONS IN MM.
 REFER TO COMPONENT DRAWINGS FOR COMPONENT DETAIL.
 REFER TO COMPONENT PRODUCT SPEC FOR PRODUCT SPECIFICATIONS.

PROPRIETARY NOTICE
 THIS DESIGN AND TECHNICAL INFORMATION APPEARING ON THIS DRAWING IS THE PROPERTY OF BRIGADE ELECTRONICS PLC, AND IS DISCLOSED IN CONFIDENCE. IT IS NOT TO BE COPIED, REPRODUCED, REVEALED TO OR APPROPRIATE BY OTHERS, EITHER IN WHOLE OR IN PART, WITHOUT THE EXPRESS WRITTEN CONSENT OF BRIGADE ELECTRONICS PLC.

Item#	Quantity	Title/Name, designation, material, dimension etc	Article No./Reference
Designed by MBAUTIER	Checked by DKERAI	Approved by S.MATHRENS	Date 04/05/2010
BRIGADE ELECTRONICS			Scale N/A
VBV-750-475(15) (#3342)			Edition A
BE-001055-00-10			Sheet 1/1